

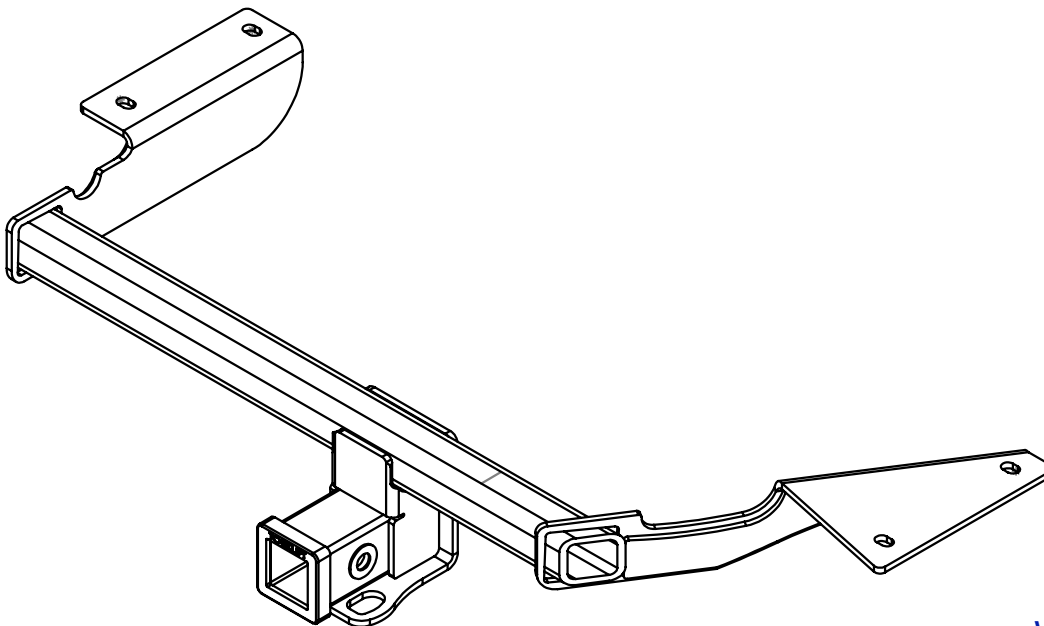
ecoHITCH - Designed Specifically For Your **Green Vehicle**

Installation Instructions

Application Fits
2016 Honda HR-V
X7322 & X7323

2" & 1.25" EcoHitch Stealth

200 lb. Tongue Weight/ 2,000 lb. Towing Weight



Torklift Central
315 Central Ave N
Kent, WA 98032
253-854-1832

www.torkliftcentral.com
support@tlcentral.com

Stay Connected



torkliftcentral



torkliftcentral



tlcentral



torklift central



torklift central



Bolt Kit Weight: 813g +/-

Hardware Included

QTY Fastener

QTY Fastener

- 7 7/16" Flat Washer
- 3 7/16" Lock Washer
- 4 7/16" Inner Tooth Lock Washer
- 3 7/16"-14 Gr. 5 Hex Nut
- 1 7/16"-14 Nylock Nut
- 1 7/16"-14 Serrated Flange Nut
- 1 7/16"-14 x 1-1/4" Gr. 5 Hex Cap Screw
- 3 7/16"-14 x 2" Gr. 5 Hex Cap Screw

- 1 7/16" Bolt Fisher
- 4 7/16"D-7/8" x 2" Plate Washer
- 1 1/2"-2" OD Fender Washer
- 1 1/2"-13 Serrated Flange Nut
- 1 1/2"-13 x 1-1/2" Hex Cap Screw
- 1 Exhaust Spacer
- 1 11" Zip-tie
- 1 10" Trim-Lok

READ THESE INSTRUCTIONS THOROUGHLY AND ACCOUNT FOR ALL HARDWARE LISTED BEFORE BEGINNING INSTALLATION!

Step 1. Remove (2) plastic push pin clips from the rear bumper side with a flathead too. See Figure [1].

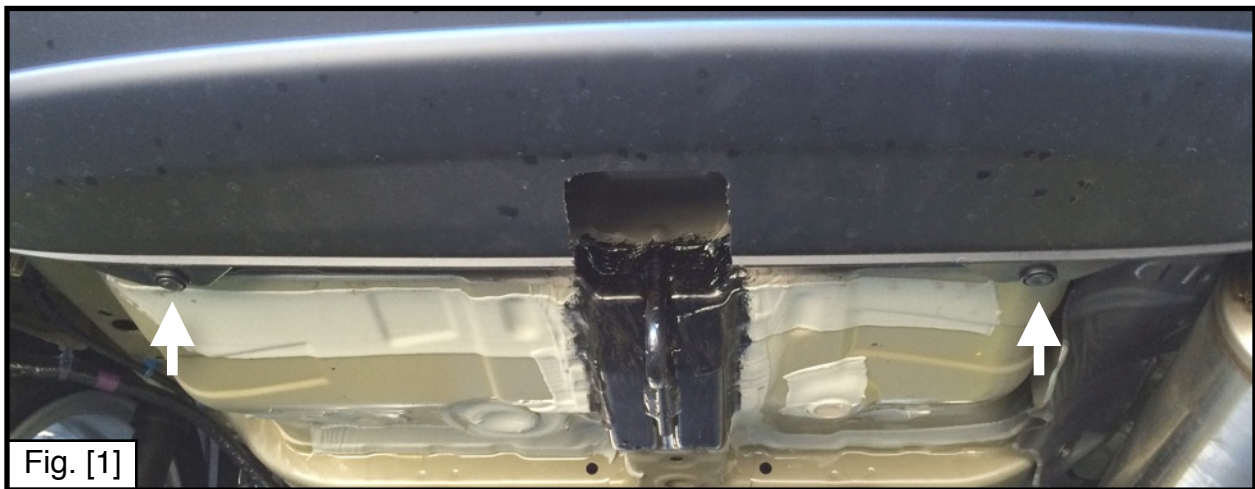


Fig. [1]

Step 2. Lower the rubber exhaust bungs by using a lubricant such as WD-40 and disconnecting. See Figure [2].



Fig. [2]

Step 3. Remove (2) screws holding the heat shield and either bend or trim the heat shield away from the frame rail to make room for the hitch. See Figure [3].

NOTE: Bolts shown in Figures [3]-[5] are put in place in a later step.

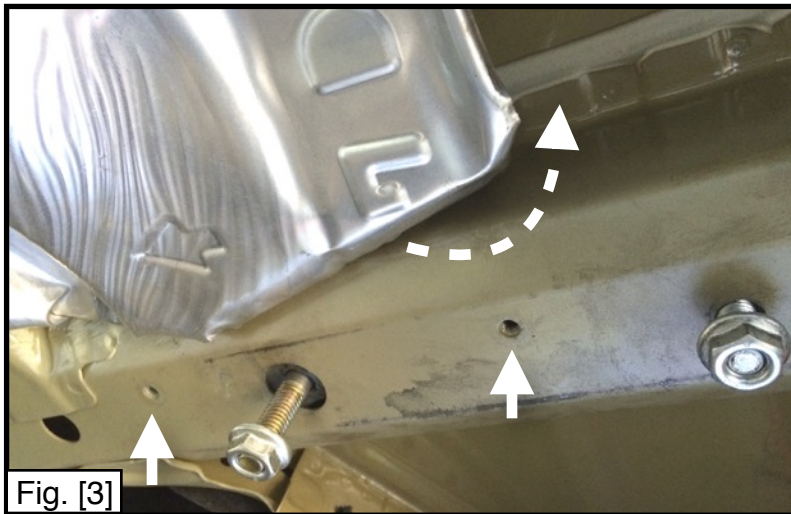


Fig. [3]

Step 4. Remove the #1 Wire Harness from the driver side frame rail and zip tie it to the #2 Wire Harness away from the frame rail. See Figure [4] & [5].

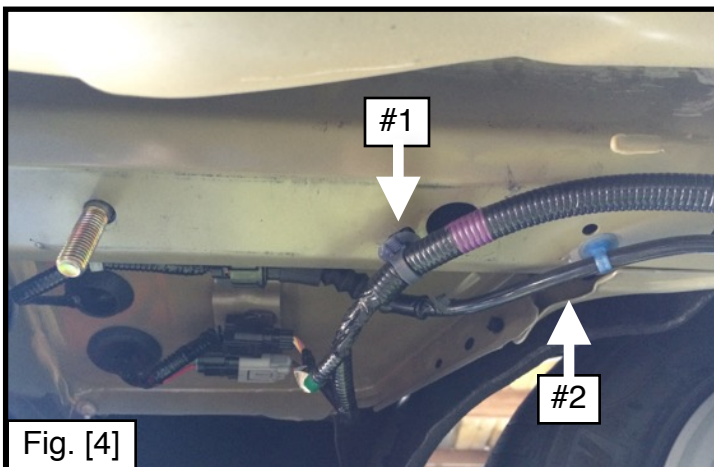


Fig. [4]



Fig. [5]

Step 5. Mark then trim a 3" x 3-3/8" section from the center of the bumper. Apply the Trim-Lok to the cut edge and trim excess. See Figure [6].

NOTE: The 5" and 7-3/4" measurements are reference points from the passenger and driver side bumper tabs respectively.

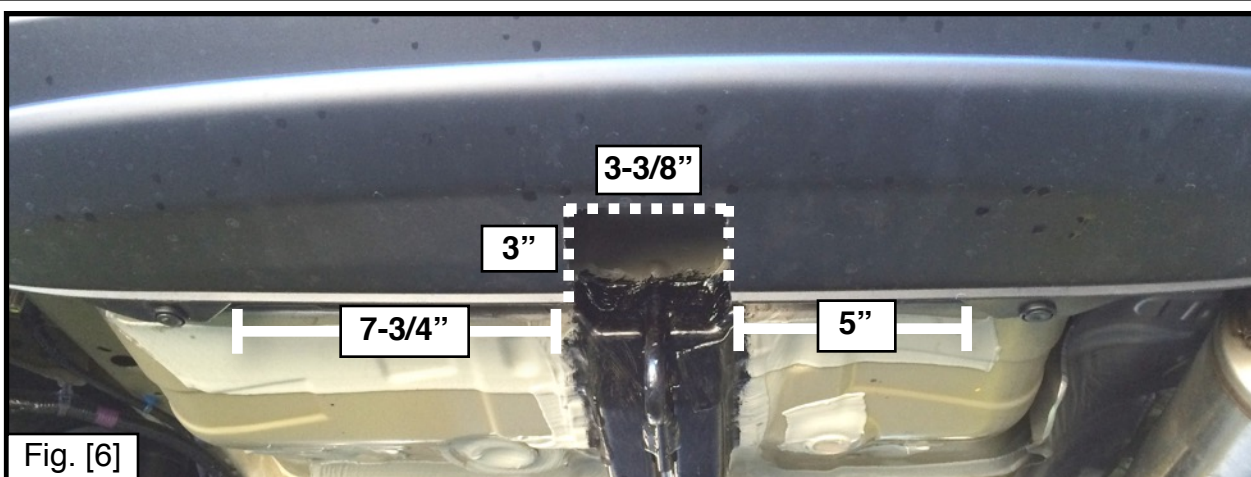
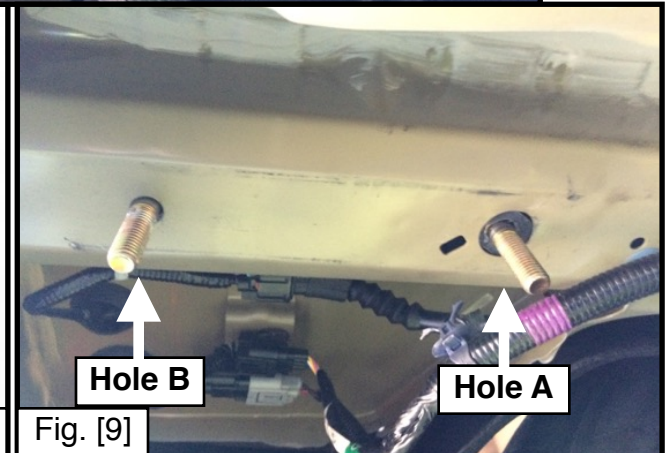
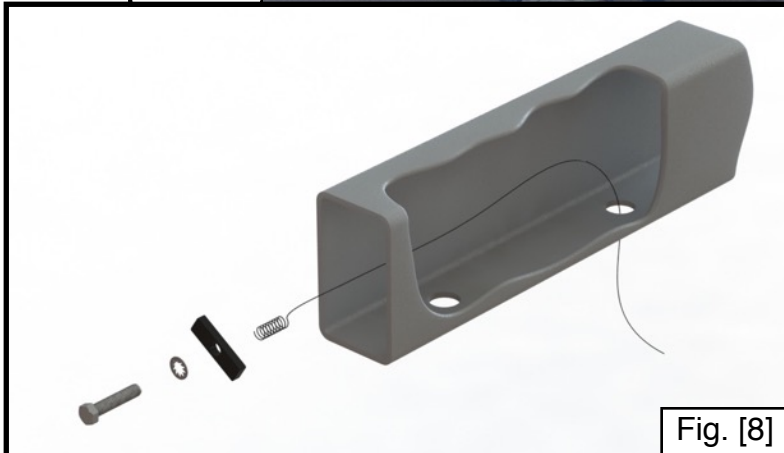
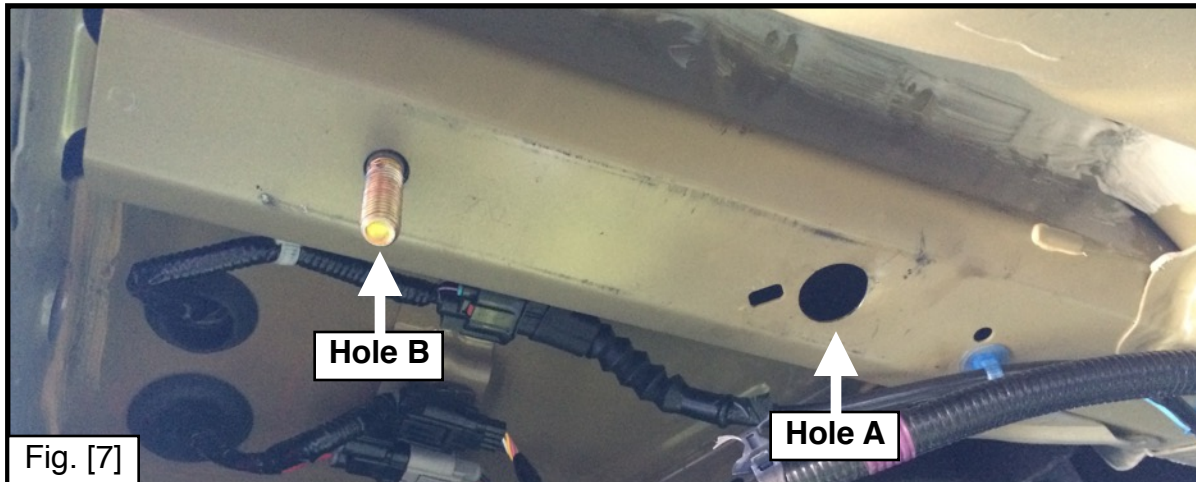


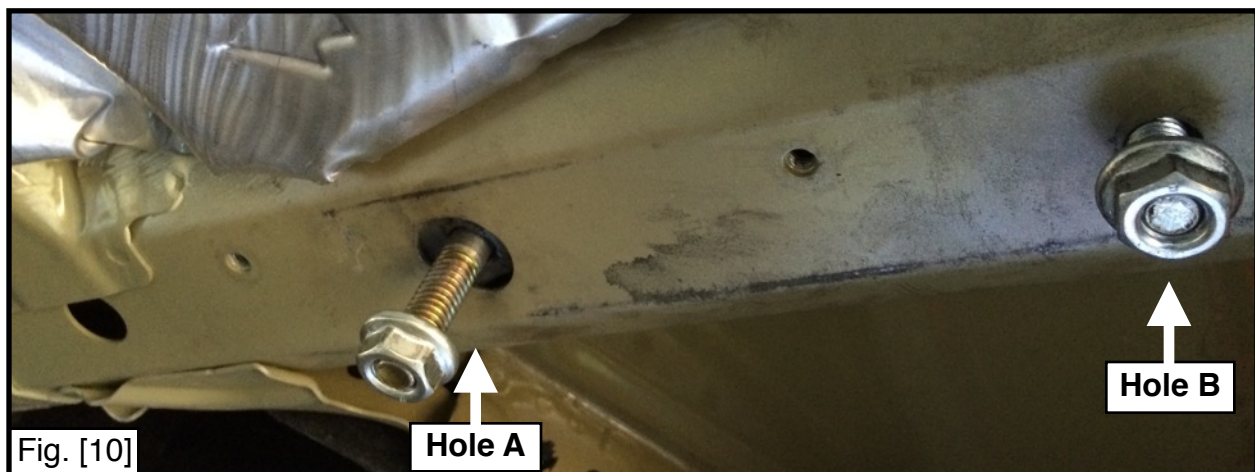
Fig. [6]

Step 6. Starting at the driver side, feed the coil end of the 7/16" bolt fisher into Hole B of the frame rail and out of Hole A. Attach (1) 7/16"-14 x 2" Hex Cap Screw(HCS) with (1) 7/16" Inner Tooth Lock Washer(ITLW) and (1) 7/16"D-7/8" x 2" Plate Washer to the coil and feed into Hole A. Pull the hardware into position in Hole B. Attach another set of 7/16" hardware to the 7/16" bolt fisher and feed the hardware one at a time into Hole A then pull into position. See Figures [7],[8],[9].



Step 7. Repeat Step 6 on the Passenger side except that you will feed (1) 7/16"-14x1-1/4"HCS, (1) 7/16" ITLW, and (1) 7/16"D-7/8"x2" Plate Washer into Hole B {rearmost hole} and (1) 7/16"-14x2" HCS, (1) 7/16" ITLW, and (1) 7/16"D-7/8"x2" Plate Washer into Hole A. See Figure [10].

NOTE: Do not attach serrated nuts to screws shown in Figure [10] at this time.



Step 8. Gently peel back the plastic bumper and raise the EcoHitch into position by lining up the holes in the hitch frame plates with the fished hardware. Be careful not to push the fished hardware back into the frame rail. Attach (2) 7/16" flat washers, (1) 7/16" lock washer, and (1) 7/16"-14 hex nut to each of the (3) 7/16"-14x2" HCS. Attach (1) 7/16"-14 serrated nut to the 7/16"-14x1-1/4" HCS. Once the hitch is centered, torque all hardware to 50 ft-lbs.

Step 9. Insert (1) 1/2"-13x1-1/2" HCS with (1) 1/2"-2"OD Fender Washer through the pre-existing hole above the exhaust hanger on the passenger side. Place the new supplied Exhaust Hanger on the opposite side with the stud pointing forward of the vehicle and secure it with (1) 1/2"-13 serrated nut. Torque to 75 ft-lbs. Re-lubricate the rubber exhaust bung and hang it on the new hanger. Secure with (1) 7/16" flat washer and (1) 7/16"-14 nylock hex nut. Tighten until the flat washer presses against the rubber exhaust bung. See Figure [11] & [12]

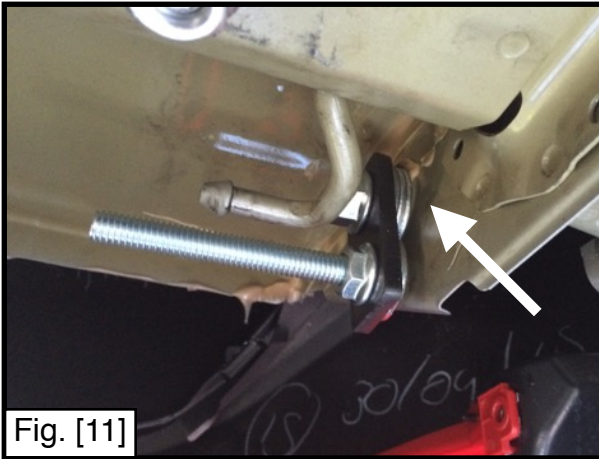


Fig. [11]

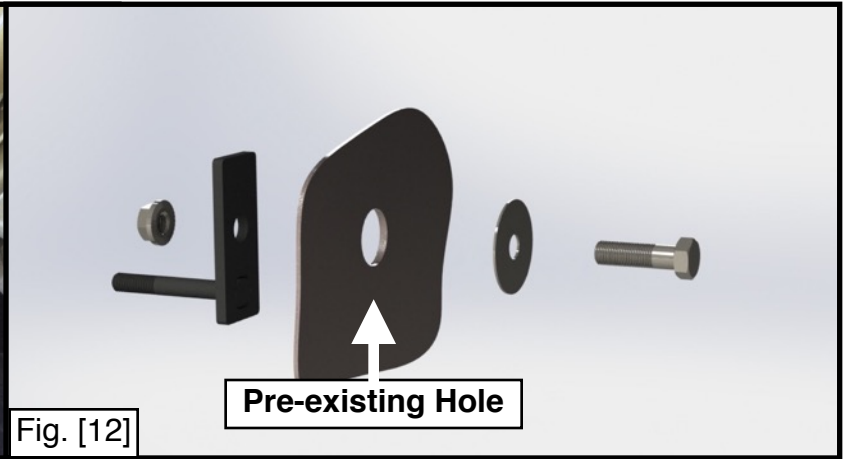


Fig. [12]

Congratulations on the completed installation of the Honda HR-V Stealth EcoHitch! It is designed with a lifetime warranty for a lifetime of enjoyment. If you have any questions or suggestions please contact our tech support at support@tlcentral.com or by phone at (253) 854-1832.



WARRANTY/DISCLAIMER INFORMATION

Torklift Central requires proof of purchase for warranty claim registration, with pictures of any defective product before issuing a replacement. Torklift will not accept claims on any product without proof of purchase, which can be faxed, scanned, emailed or mailed to the information provided below. Torklift Central warrants its hitches, custom hitch receivers and accessories (excluding electrical wire harnesses which carry a warranty from their specified manufacturer) from date of purchase against defects in material and workmanship under normal use and service for the ownership life of the original consumer purchaser. Torklift Central will replace free of charge any part that proves defective in material or workmanship when presented to Torklift Central, transportation charges prepaid by purchaser, at the address below. **This warranty is limited to defective parts replacement only. Labor charges and/or damage incurred in installation or replacement, as well as incidental and consequential damages connected therewith are excluded.** This warranty does not include normal wear and tear or the finish and paint. Rusting, cracking or peeling of the finish is also excluded. Some states do not allow the exclusion or limitation of incidental or consequential damages, so the above limitation or exclusion may not apply to you. Any damage to Torklift Central products as a result of misuse, abuse, neglect, accident, improper installation or any use violative of instructions furnished by Torklift Central will void the warranty. This warranty gives you specific legal rights and you may also have rights, which vary from state to state. With warranty service, you may be able to go to a small claims court, a state court or a federal district court.

Although Torklift Central trailer hitches are both tested and rated for towing within the specific capacity label found on each trailer hitch. Torklift Central assumes no liability for vehicle manufacturers warranty due to the use of a Torklift Central trailer hitch being used for towing behind any vehicle or using the trailer hitch in a manner that it was not designed for. Although this specific trailer hitch has a load rating, which includes trailer tongue weight, and a trailer weight carrying capacity, Torklift Central is not responsible for the voiding of any warranty on any vehicle due to factory towing limitations. All vehicle warranties are the sole property and responsibility of the owner of the vehicle that the Torklift Central trailer hitch is installed upon. Torklift Central does not endorse towing behind any vehicle if the vehicles manufacturer states that towing is not recommended. Check your vehicle's owner's manual for the proper tow rating of your vehicle.

ADDRESS: 315 Central Ave N. Kent, WA 98032

WARNING Your vehicle may have a lower tow rating than this trailer hitch. If your vehicle's tow rating is less than the rated towing capacity on your Torklift Central trailer hitch, your trailer hitch capacity is limited to your vehicle's factory rated towing capacity.

FOR EXAMPLE: the label on your Torklift Central trailer hitch states it's capacity is rated for 500 pounds tongue weight and 5,000 pounds towing weight. However your vehicle's factory rated towing capacity is limited to only 350 pounds tongue weight and 3,500 pounds towing weight. In this example your maximum towing capacity of your Torklift Central trailer hitch is limited to 350 pounds tongue weight and 3,500 pounds towing weight as stated by your vehicle's maximum factory tow rating.

DANGER Never exceed your vehicle's manufacturer's recommended towing capacity which may be a lower rating than this trailer hitch

Unsure of your tow rating? Download our towing app from the app store to find your vehicles tow rating.
www.torkliftcentral.com/app.php